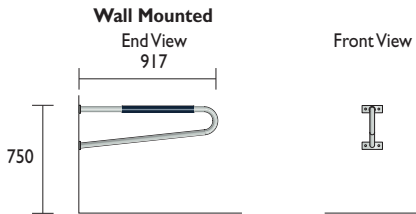


Bicycle Rails > Post/Wall Mounted

Product Range

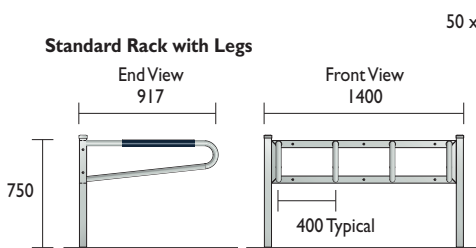
1300 780 450

BRX03W Hitching Rail

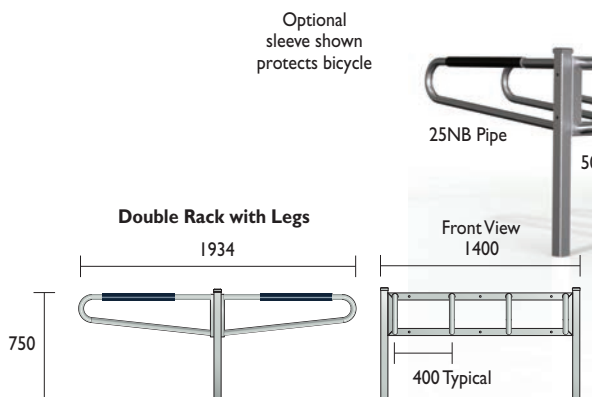


PLEASE NOTE:
Stainless steel products comes in finished finish as standard or it can be electropolished at an additional cost.

BRX03L Hitching Rail



BRX03D Hitching Rail



Material Specifications (General)

Frame 50 x 50 x 4mm SHS / Hot dipped galvanised
Supports 25NB x 1.5mm Pipe / Hot dipped galvanised

