

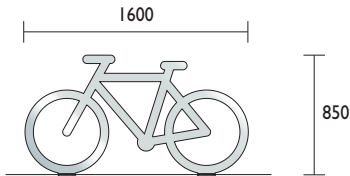
Bicycle Rails

BR1600B

BR1600B
Galvanised
SBR1600B
Stainless Steel

PLEASE NOTE: Plate bike rails may not be visually suitable for all footpath installations where pedestrians will approach from the rail's narrow side.

PLEASE NOTE: Stainless steel products comes in linished finish as standard or it can be electropolished at an additional cost.



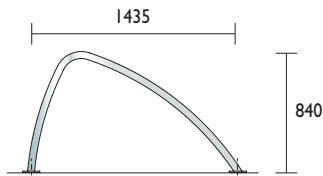
10mm Plate



200 x 100 x 6mm Baseplate

BR04B

BR04B
Galvanised
SBR04B
Stainless Steel



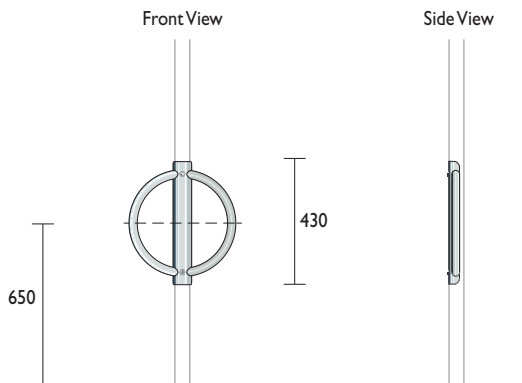
32NB Pipe



200 x 100 x 6mm Baseplates

PPR50

Post Mounted



25NB Pipe



Units are designed to bolt-fix to existing 40NB or 50NB posts using M12 bolts & shear nuts

Material Specifications (General)

Mild steel 10mm Mild steel plate / 32NB (38.1) x 1.5mm Galvanised pipe
Stainless steel 10mm Stainless steel plate / 32NB (38.1) x 1.5mm Stainless steel pipe / Linished finish
PPR50 25NB x 1.5mm Galvanised pipe / 25NB x 1.5mm Stainless steel pipe

