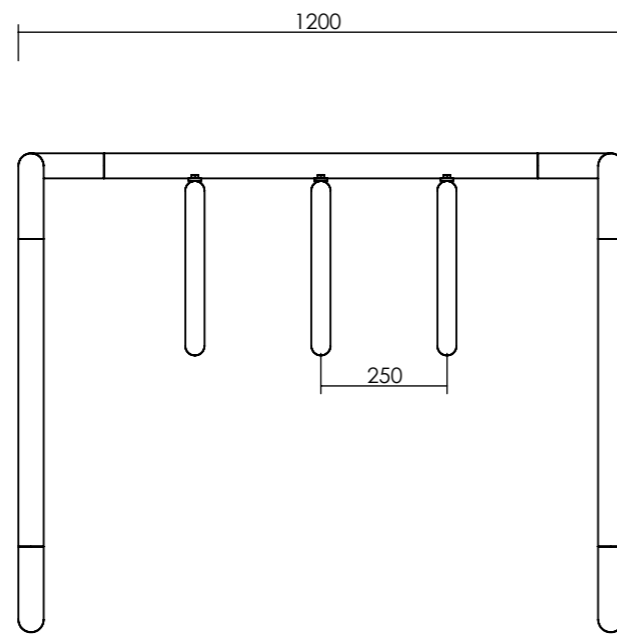
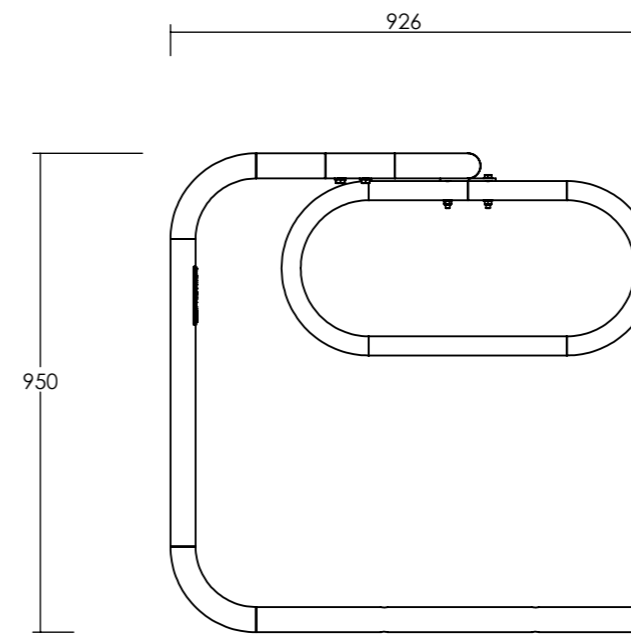


Front View



Side View



MATERIAL DESCRIPTION: VARIOUS				
FINISH: GALVANIZED / POWDERCOATED			WEIGHT: kg	
SCALE: 1:20 AT A3		SW FILE: CBR128-Isometric Drawing		
LINEAL TOLERANCES			ANGULAR TOLERANCES	
1.0 to 250 ± 0.2	250 to 500 ± 0.5	500 to 1000 ± 1.0	1000 to 5000 ± 2.5	± 0.5°
				THIRD ANGLE PROJECTION



**HEAD OFFICE:** 18 Reliance Drive, Tuggerah NSW 2258  
 Phone +61 2 4353 3377 - Fax +61 2 4353 2255 - Email [lvsales@l-v.com.au](mailto:lvsales@l-v.com.au)  
 © COPYRIGHT 2015 - ALL INTELLECTUAL PROPERTY RIGHTS RESERVED

ISSUED FOR: MANUFACTURE		DRAWN BY: HUI CHEN	
JOB No. -	CLIENT/SITE: -	APPROVED BY: -	
MODEL DESCRIPTION: <b>CBR128 ASSM</b>			
ITEM: LS85054	REV: D1 INDEX: -	DRAWING DATE: 2017/12/20	SHEET: 1 OF 1